

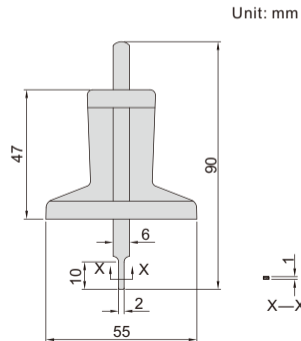
# VERNIER DEPTH GAGE

ATTENTION:  
BASIC MODEL

- Graduation: 0.1mm
- Made of stainless steel



1244-30



Code	Range	Accuracy
1244-30	0-30mm	$\pm 0.10\text{mm}$